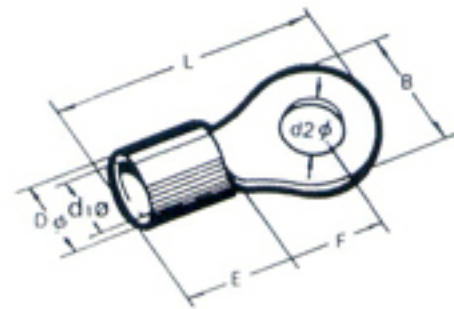


Non Insulated Ring Terminals



ITEM NO.	WIRE RANGE		Dφ	d1φ	E	F	B	d2φ	L					
	AWG/MCM	mm ²												
R1.25-3	22-16	0.25 1.65	3.2	1.7	4.5	4.0	5.5	3.7	11.5					
R1.25-3S						4.0	5.5	3.2	11.5					
R1.25-4						7.0	8.0	4.3	15.8					
R1.25-5						7.0	8.1	5.3	15.8					
R1.25-6						11.0	11.6	6.7	21.7					
R1.25-8						22.0	11.6	8.4	21.7					
R2-3						16-14	1.04 2.63	3.9	2.3	4.8	7.75	8.5	3.2	16.8
R2-3S											4.3	6.4	3.2	12.3
R2-4	7.75	8.5	4.3	16.8										
R2-5	7.25	9.5	5.3	16.8										
R2-6	11.0	12.0	6.4	21.8										
R2-8	11.0	12.0	8.4	21.8										
R3.5-4	12-10	2.63 4.6	5.0	3.0	6.3						7.7	8.0	4.3	18.0
R3.5-5											9.2	9.6	5.3	20.0
R5.5-4	12-10	2.63 6.64	5.4	3.4	6.8	8.25	9.5	4.3	19.8					
R5.5-5						8.25	9.5	5.3	19.8					
R5.5-6						13.7	12.0	6.4	25.8					
R5.5-8						13.7	15.0	8.4	28.0					
R5.5-10						13.7	15.0	10.5	28.0					
R8-5	8	6.64 10.52	6.9	4.5	8.5	9.3	12.0	5.3	23.8					
R8-6						9.3	12.0	6.4	23.8					
R8-8						13.8	15.0	8.4	29.8					
R8-10						13.8	15.0	10.5	29.8					
R8-12						15.0	20.0	13.0	33.5					
R14-5	6	10.52 16.78	8.8	5.8	10	11.5	12.0	5.3	27.5					
R14-6						11.5	12.0	6.4	27.5					
R14-8						14.5	16.0	8.4	32.5					
R14-10						14.5	16.0	10.5	32.5					
R14-12						19.8	22.0	13.0	41.3					

ITEM NO.	WIRE RANGE		Dφ	d1φ	E	F	B	d2φ	L
	AWG/MCM	mm ²							
R22-6	4	16.78 26.66	11.3	7.7	12	13.45	16.5	6.7	33.7
R22-8						13.45	16.5	8.4	33.7
R22-10						15.95	16.5	10.5	33.7
R22-12						19.5	22.0	13.0	42.5
R38-6	2	26.66 42.42	13	9.4	14	17.7	22.0	6.7	42.7
R38-8						17.7	22.0	8.4	45.7
R38-10						17.7	22.0	10.5	42.7
R38-12						17.7	22.0	13.0	42.7
R60-8	1/0	42.42 60.57	15.4	11.4	18	20.7	19.1	8.4	49.7
R60-10						20.7	19.1	10.5	49.7
R60-12						20.7	19.1	13.0	49.7
R70-8	2/0	60.57 76.28	17.3	13.3	19	20.0	22.1	8.4	51.0
R70-10						20.0	22.1	10.5	51.0
R70-12						20.0	22.1	13.0	51.0
R80-8	3/0	76.28 96.3	19.4	14.5	20	20.5	27.0	8.4	54.0
R80-10						20.5	27.0	10.5	54.0
R80-12						20.5	27.0	13.0	54.0
R100-8	4/0	96.3 117.2	21.6	16.4	21	20.35	28.5	8.4	55.6
R100-10						20.35	28.5	10.5	55.6
R100-12						20.35	28.5	13.0	55.6
R150-10	250-300	117.2 152.05	25.9	19.5	27	23.0	36.0	10.5	66.0
R150-12						23.0	36.0	13.0	66.0
R150-16						23.0	36.0	17.0	66.0
R180-10	300-350	152.05 192.6	28	21	28.5	24.5	38.5	10.5	69.5
R180-12						24.5	38.5	13.0	69.0
R180-16						24.5	38.5	17.0	69.0
R200-10						24.5	44.0	10.5	72.0
R200-12	400	192.6 242.27	32	24	31.5	24.5	44.0	13.0	72.0
R200-16						24.5	44.0	17.0	72.0
R325-10						33.5	50.0	10.5	88.0
R325-12	500-600	242.27 325	37	28	35.5	33.5	50.0	13.0	88.0
R325-16						33.5	50.0	17.0	88.0